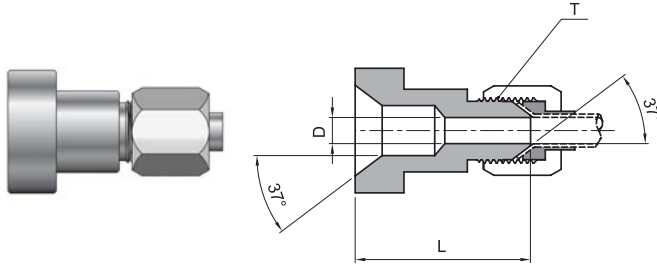
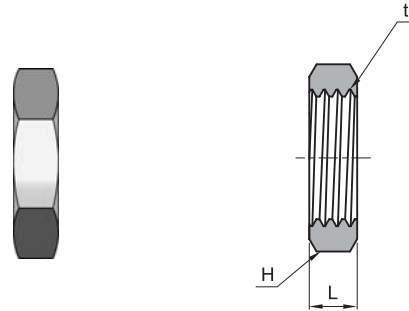


## JRA Reducer Adapter



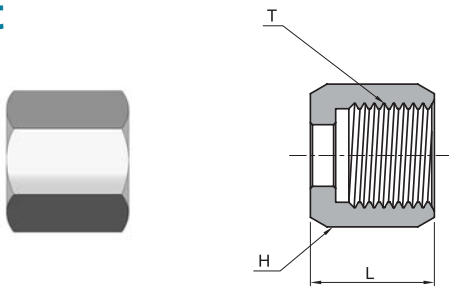
Part Number	Reducing Tube O.D.	T (UNF/UN)	D	L
JRA6T-4T	3/8 × 1/4	7/16 - 20	4.4	24.6
JRA8T-4T	1/2 × 1/4	7/16 - 20	4.4	25.4
JRA8T-6T	1/2 × 3/8	9/16 - 18	7.5	25.4
JRA10T-4T	5/8 × 1/4	7/16 - 20	4.4	26.2
JRA10T-6T	5/8 × 3/8	9/16 - 18	7.5	26.2
JRA12T-4T	3/4 × 1/4	7/16 - 20	4.4	27.7
JRA12T-6T	3/4 × 3/8	9/16 - 18	7.5	27.7
JRA12T-8T	3/4 × 1/2	3/4 - 16	10.0	30.2
JRA16T-12T	1 × 3/4	1 1/16 - 12	15.5	37.3
JRA20T-12T	1 1/4 × 3/4	1 1/16 - 12	15.5	38.3
JRA20T-16T	1 1/4 × 1	1 5/16 - 12	21.5	40.3
JRA24T-20T	1 1/2 × 1 1/4	1 5/8 - 12	27.5	42.9

## JLN Bulkhead Lock Nut



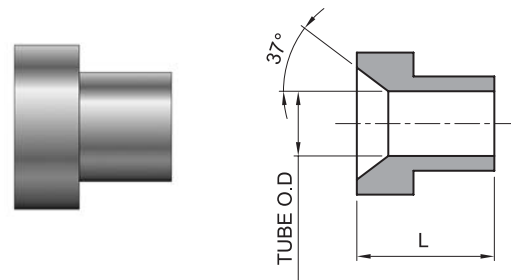
Part Number	Tube O.D.		T (UNF/UN)	H (HEX)	L
	Inch	Metric			
JLN-2T	1/8	3	5/16 - 24	14.3	5.6
JLN-3T	3/16	4	3/8 - 24	15.9	5.6
JLN-4T	1/4	6	7/16 - 20	17.5	7.1
JLN-5T	5/16	8	1/2 - 20	19.1	7.1
JLN-6T	3/8	10	9/16 - 18	20.6	6.9
JLN-8T	1/2	12	3/4 - 16	25.4	7.9
JLN-10T	5/8	16	7/8 - 14	28.6	9.1
JLN-12T	3/4	18	1 1/16 - 12	34.9	10.4
JLN-14T	7/8	22	1 3/16 - 12	38.1	10.4
JLN-16T	1	25	1 5/16 - 12	41.3	10.4
JLN-20T	1 1/4	32	1 5/8 - 12	47.6	10.4
JLN-24T	1 1/2	38	1 7/8 - 12	54.0	10.4
JLN-32T	2	50	2 1/2 - 12	69.9	10.4

## JN Nut



Part Number	Tube O.D.		T (UNF/UN)	H (HEX)	L
	Inch	Metric			
JN-2T	1/8	3	5/16 - 24	9.5	14.0
JN-3T	3/16	4	3/8 - 24	11.1	15.5
JN-4T	1/4	6	7/16 - 20	14.3	15.8
JN-5T	5/16	8	1/2 - 20	15.9	17.3
JN-6T	3/8	10	9/16 - 18	17.5	18.5
JN-8T	1/2	12	3/4 - 16	22.2	21.6
JN-10T	5/8	16	7/8 - 14	25.4	24.9
JN-12T	3/4	18	1 1/16 - 12	31.8	26.2
JN-14T	7/8	22	1 3/16 - 12	34.9	27.7
JN-16T	1	25	1 5/16 - 12	38.1	28.7
JN-20T	1 1/4	32	1 5/8 - 12	50.8	31.2
JN-24T	1 1/2	38	1 7/8 - 12	57.2	36.1
JN-32T	2	50	2 1/2 - 12	73.0	44.5

## JS Sleeve



Part Number		Tube O.D.		L	
Inch	Metric	Inch	Metric	Inch	Metric
JS-2T	JS-2MT	1/8	-	8.6	-
JS-3T	JS-3MT	3/16	-	8.6	-
JS-4T	JS-6MT	1/4	6	10.4	10.4
JS-5T	JS-8MT	5/16	8	11.2	11.2
JS-6T	JS-10MT	3/8	10	12.7	12.7
JS-8T	JS-12MT	1/2	12	14.2	14.2
JS-10T	JS-16MT	5/8	16	16.8	16.8
JS-12T	JS-18MT	3/4	18	17.3	17.3
JS-14T	JS-22MT	7/8	22	19.3	19.3
JS-16T	JS-25MT	1	25	19.8	19.8
JS-20T	JS-32MT	1 1/4	32	23.1	23.1
JS-24T	JS-38MT	1 1/2	38	28.4	28.4
JS-32T	JS-50MT	2	50	30.2	30.2

※ Metric Sleeves are used with standard nuts & bodies