

360 SERIES THREE PIECE HIGH-PRESSURE TYPE SBVH360 Series



Features

- Compact design
- High flow rate with maximum orifice
- Variety of End Connections
- Anti blow-out stem design
- Each and every valve is tested at the factory
- Fire safety design available

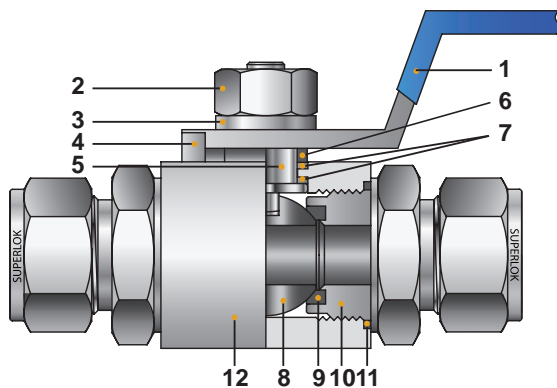
Specifications

Pressure rating	6000psig (414bar)@70°F (21°C)
Temperature rating	-22 to 265°F (-30 to 130°C) with PVDF seat -65 to 500°F (-54 to 260°C) with PEEK seat
Body material	316 stainless steel and Brass
Port Connections	1/4" to 1" and 6mm to 25mm
Orifice	10.0mm to 19.0mm

Testing

- Each Valve is tested with nitrogen at 1000psig(69bar) to maximum allowable leak rate of 0.1 SCCM.
- Hydrostatic shell test is performed at 1.5 times of the working pressure. (OPTION)

Materials of Construction



No.	Component	Material Grade / ASTM Specification
		Stainless Steel
1	Handle	SS304 Lever handle with PVC color coated
2	Lock Nut	Stainless Steel
3	Spring Washer	
4	Pin	
*5	Stem	SS316 / A276
6	Stem Washer	SS304 / A276
*7	Stem Packing	PTFE
*8	Ball	SS316 / A276
*9	Seat	PCTFE (Standard)
*10	End Connector	SS316 / A276
*11	Connector Seal	PTFE
*12	Body	SS316 / A276

※Wetted components are marked "*"

SBVH360 SERIES (2-Way)

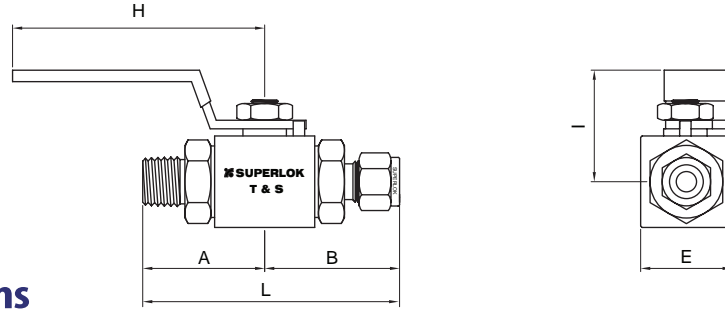


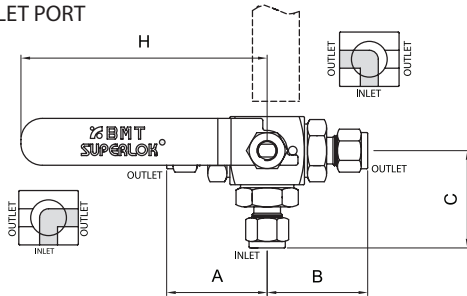
Table of dimensions

Order Number		Orifice	Cv	End Connections	Dimensions (mm)						
Series	Part No.				A	B	L	H	I		
SBVH3601	S	4	1.2	1/4" SUPERLOK	45.7	45.7	91.4	115	38.5		
	S	6	3.7	3/8" SUPERLOK	47.5	47.5	94.4				
	S	8	7.5	1/2" SUPERLOK	49.8	49.8	99.6				
	F	4N		1/4" FEMALE NPT	37.0	37.0	74.0				
	F	6N		3/8" FEMALE NPT	38.0	38.0	76.0				
	F	8N	1/2" FEMALE NPT	41.5	41.5	83.0					
	M	4N	3.7	1/4" MALE NPT	42.1	42.1	84.2				
	M	6N	7.2	3/8" MALE NPT	42.1	42.1	84.2				
	M	8N	7.5	1/2" MALE NPT	47.0	47.0	94.0				
SBVH3602	F	8N	10.0	1/2" FEMALE NPT	45.5	45.5	91.0	165	51.9		
	F	12N		3/4" FEMALE NPT	51.0	51.0	102.0				
	M	12N		3/4" MALE NPT	52.5	52.5	105.0				
	S	10		5/8" SUPERLOK	54.0	54.0	108.0				
	S	12		3/4" SUPERLOK	54.0	54.0	108.0				
SBVH3603	F	12N	19.0	3/4" FEMALE NPT	54.0	54.0	108.0	165	57.0		
	F	16N		1" FEMALE NPT	62.5	62.5	125.0				
	S	12		3/4" SUPERLOK	61.9	61.9	123.8				
	S	16		1" SUPERLOK	66.4	66.4	132.8				
	M	12N		3/4" MALE NPT	59.0	59.0	118.0				
	M	16N		1" MALE NPT	63.8	63.8	127.6				

※ All dimensions are for reference only, subject to change

SBVH360-3S SERIES (3-Way)

SIDE INLET PORT



SBVH360-3 SERIES (3-Way)

BOTTOM INLET PORT

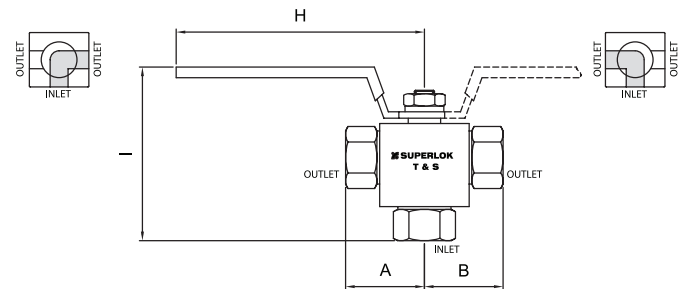


Table of dimensions

Order Number		Orifice	End Connections	Dimensions (mm)				
Series	Part No.			A	B	I	H	C
SBVH36013 & SBVH36013S	S	4	1/4" SUPERLOK	45.7	45.7	91.4	115	53.3
	S	6	3/8" SUPERLOK	47.2	47.2	94.4		54.8
	S	8	1/2" SUPERLOK	49.8	49.8	99.6		54.0
	F	4N	1/4" FEMALE NPT	37.0	37.0	74.0		36.5
	F	6N	3/8" FEMALE NPT	38.0	38.0	76.0		40.0
	F	8N	1/2" FEMALE NPT	41.5	41.5	83.0		44.0
SBVH36023 & SBVH36023S	S	10	5/8" SUPERLOK	54.0	54.0	108.0	165	65.3
	S	12	3/4" SUPERLOK	54.0	54.0	108.0		65.3
	F	8N	1/2" FEMALE NPT	45.5	45.5	91.0		49.5
	F	12N	3/4" FEMALE NPT	51.0	51.0	102.0		55.0
SBVH36033 & SBVH36033S	S	12	3/4" SUPERLOK	61.9	61.9	123.8	165	69.8
	S	16	1" SUPERLOK	66.4	66.4	132.8		69.8
	F	12N	3/4" FEMALE NPT	59.0	59.0	118.0		56.5
	F	16N	1" FEMALE NPT	63.8	63.8	127.6		60.6

Pressure & Temperature Rating

2-Way Straight

Valve Series	Materials			Pressure Rating @-54°C to 21°C (-65°F to 70°F)	Temperature Rating
	Seat	Stem Packing	End Connector Seal		
3601	PVDF	PTFE		6000psig (413bar)	-30°C to 130°C(-22°F to 265°F)
	PCTFE				-30°C to 150°C(-22°F to 355°F)
	PEEK				-54°C to 230°C(-65°F to 446°F)
3602 & 3603	PVDF			5000psig (344bar)	-23°C to 191°C(-10°F to 375°F)
	PCTFE				6000psig (413bar)
	PEEK				

2-Way Angle & 3-Way

Valve Series	Materials			Pressure Rating @-54°C to 21°C (-65°F to 70°F)	Temperature Rating
	Seat	Stem Packing	End Connector Seal		
3601	PVDF	PTFE	VITON	4000psig(275bar)	-30°C to 130°C(-22°F to 265°F)
	PCTFE				-30°C to 150°C(-22°F to 355°F)
	PEEK				-54°C to 230°C(-65°F to 446°F)
3602 & 3603	PVDF			3000psig(206bar)	-23°C to 191°C(-10°F to 375°F)
	PCTFE				
	PEEK				

Ordering Information

Example : **SBVH3602 - S 12 - PE - SS**
1 2 3 4 5

1. Valve Series

- 2-Way straight ■ 2-Way Angle ■ 3-Way : Bottom Inlet Port ■ 3-Way : Side Inlet Port
- SBVH3601 - SBVH3601A - SBVH36013 - SBVH36013S
- SBVH3602 - SBVH3602A - SBVH36023 - SBVH36023S
- SBVH3603 - SBVH3603A - SBVH36033 - SBVH36033S

2. End Connection

- S : SUPERLOK Tube Fitting ■ F : Female Thread ■ M : Male Thread

3. Connection Size

-Tube O.D Designation

Tube O.D (inch)	1/4	3/8	1/2	5/8	3/4	1
Designation	4	6	8	10	12	16

- Pipe Thread Designation

Size(inch)	1/4	3/8	1/2	3/4	1
Screwed NPT	4N	6N	8N	12N	16N
Screwed BSPT	4R	6R	8R	12R	12R

4. Seat Material Designator

- BLANK : PCTFE(Standard) ■ PV : PVDF ■ PE : PEEK

5. Material Designator

- SS(BLANK) : 316 Stainless Steel ■ M : ALLOY (Monel)