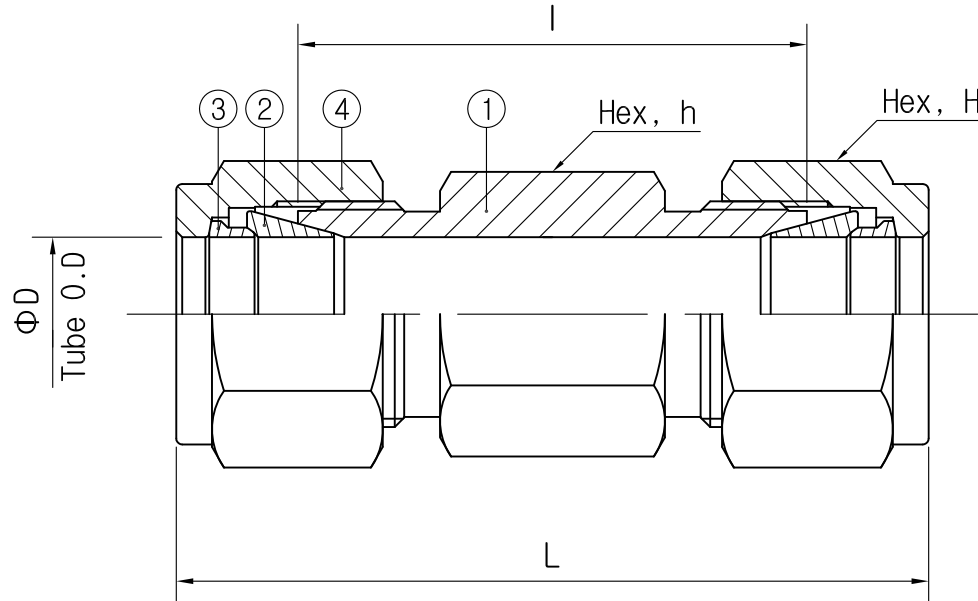


NO.	DESCRIPTION	MATERIAL	Q'TY	REMARK
1	BODY	A276-316	1	
2	FRONT FERRULE	SS316	2	
3	BACK FERRULE	SS316	2	
4	NUT	A276-316	2	



Rev.	Issue Date	Description	Originator	Checked	Approved
A	08.MAR.2024	Issued for Approval	A.R.OH	Y.S.LEE	J.H.LIM
PURCHASER		SUPERLOK USA			
CLIENT					
PROJECT NAME					
PROJECT NO.					
PO. NO.					
MFR. MODEL/TYPE		SU Series			
FITTING NAME		UNION (TM)			
TAG NO.					
DRAWING NO.		202402-208			
GENERAL ARRANGEMENT DRAWING for FITTING		BMT Co., Ltd.			

No.	Part No.	Tube O.D. ΦD, Inch	Width Across Flat, mm		Dimensions, mm		Remark
			h	H	l	L	
1	SU-8-TM-132L	1/2"	20.6	22.2	132.0	152.4	
1	SU-10-TM-132L	5/8"	23.8	25.4	132.0	153.1	