

# CV1 Check Valves

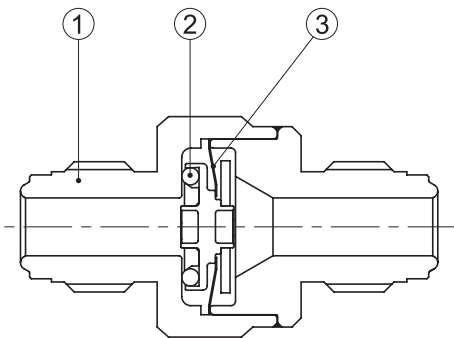


## Specifications

Size	1/4"	3/8", 1/2"
Cv Value	0.55	0.7
Max. Working Pressure	206 bar (3000 psig)	
Nominal Reseal Pressure	0.276 bar (4 psig)	
Nominal Cracking Pressure	0.138 bar (2 psig)	
Maximum Pressure Drop	10 bar (145 psi)	
Working Temp.	-10 ~ 80°C (14 ~ 176°F)	
Inboard Leak Test Rates (He) (Holding Time ≥ 15 sec.)	≤1x10 <sup>-9</sup> atm.cc/s	
Particle Inspection (EP Only) (0.1µm and Larger)	No count	

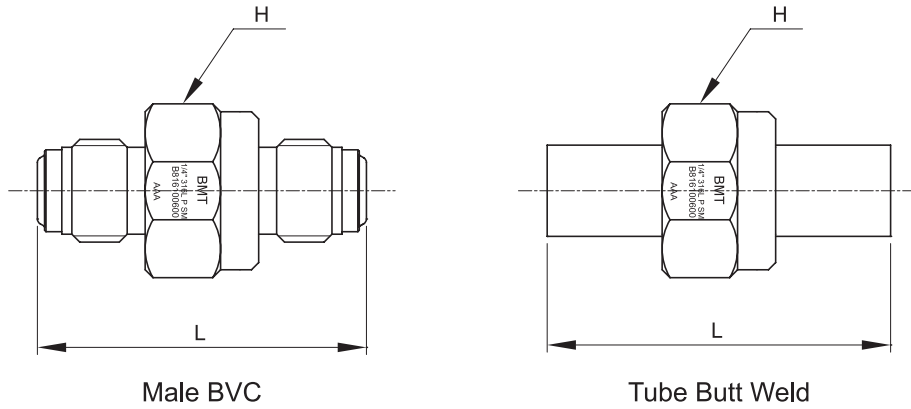
※ BMT CV1 Series Check Valves are designed for directional flow control only. The CV1 Series Check Valve should never be used as safety relief devices.

## Material



No.	Component	Material
1	Body	316L Stainless Steel
		316L Stainless Steel VAR
2	Seal Ring	Viton ( <i>standard</i> ) / Neoprene
3	Spring	HASTELLOY C-22

Dimensions



End Connection	Part No.	L	H (Hex.)
Male BVC	SMCV1-VM4	45.8	22
	SMCV1-VM8	52.3	27
Tube Butt Weld	SMCV1-TW4	47.8	22
	SMCV1-TW8	54.3	27

Ordering Information

\*Additional configurations available upon request.

A	CV1	-	B	C	-	D	-	E	Standard feature
SM	CV1		TW	8		NE	-	P	Optional

A	Materials
SM	316L Stainless Steel
DM	316L Stainless Steel VAR
4SS	304 Stainless Steel

D	Seat Material
Viton is Standard. No part designator needed	
NE	Neoprene

B	Connection Type
VM	Male BVC (BMT Vacuum Coupling)
VF	Female BVC (BMT Vacuum Coupling)
S	SUPERLOK Tube Fitting
TW	Butt Weld
VMXVF	In Male-Out Female

E	Wetted Surface Grade
BA is standard. No part designator needed.	
P	EP
MP	MP
AP	AP

C Connection Size			
ASTM Tube			
Designator	Nominal Size	Outside Diameter	Wall Thickness
4	1/4 in.	6.35 mm	1.00 mm
8	1/2 in.	12.7 mm	1.24 mm

Part Number Examples

	SMCV1-VM4-P		DMCV1-TW8-NE	
Material	SM	316L Stainless Steel	DM	316L Stainless Steel VAR
Series	CV1	CV1 series	CV1	CV1 series
Operation Method	<i>Omit for Manual Valves</i>		<i>Omit for Manual Valves</i>	
Connection Type	VM	BVC Male	TW	Butt Weld
Connection Size	4	1/4"	8	1/2"
Flow Path	<i>Omit for CV1 series</i>		<i>Omit for CV1 series</i>	
Seal Material	Viton (standard)		NE	Neoprene
Grade	P	EP grade	BA grade (standard)	

•Dimensions and Drawings are for reference only and are subject to change without prior notice.